



BIKE RACKS

- **Weather Resistant**
- **Durable Powder Coat Finish**

The lasting popularity of these bike racks is proof of their durability, beauty and adaptability. The entire series, with its smooth graceful lines, is one of the most elegant pieces of street sculpture you'll see for bicycle parking. Weather and vandals simply aren't a problem. All models easily accommodate the high security U-shaped locks preferred by bicyclists.

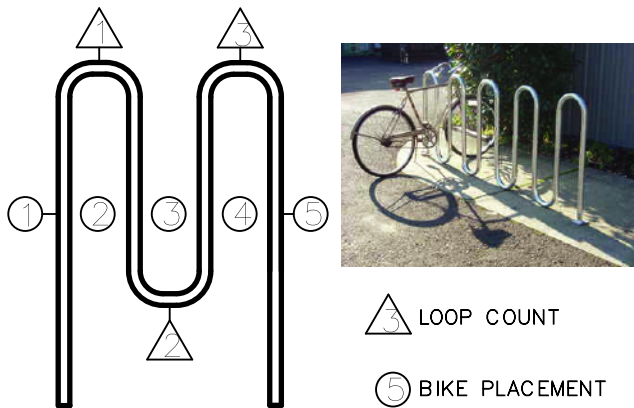
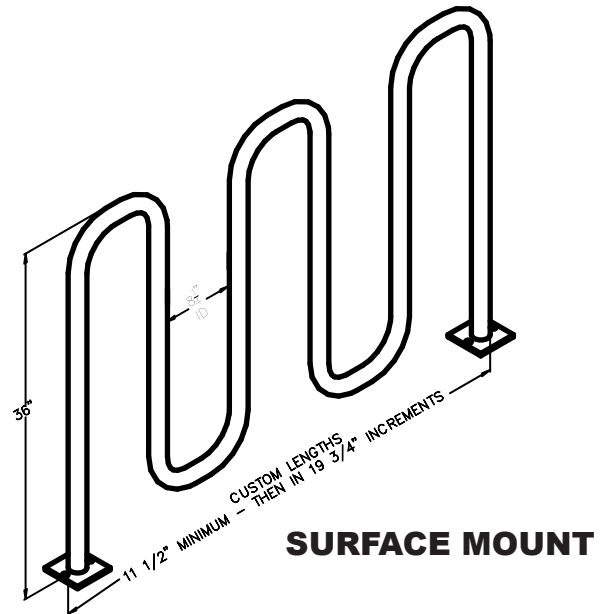
Accept no substitute!

Color and Finishes:

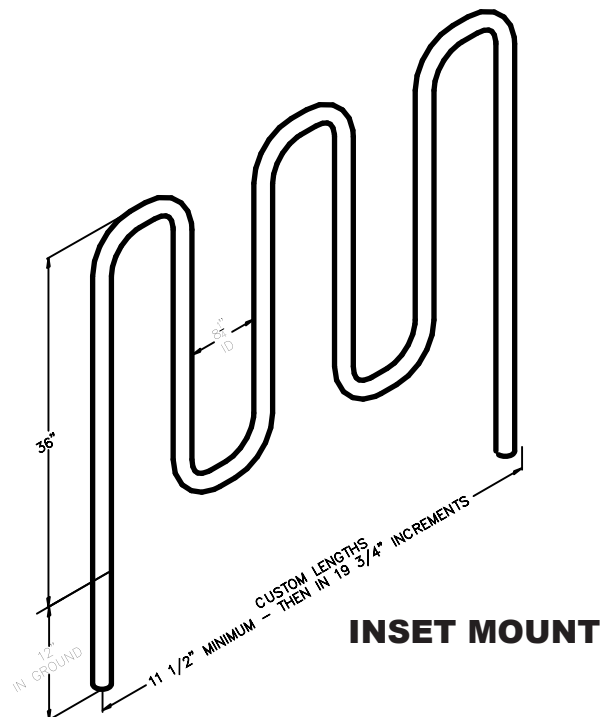
All bike racks are powder coated. Stock colors are black and gray. Custom colors and finishes are available.

Material:

Sturdy steel pipe construction. 1.9" dia. schedule 40 pipe.



CAPACITY CHART – LOOPED RACK		
NO. OF LOOPS	BIKE CAPACITY	OVERALL DIMENSION
1	3	11 1/2"
3	5	31 1/4"
5	7	51"
7	9	70 3/4"
9	11	90 1/2"
NOT RECOMMENDED TO EXCEED 9 LOOPS PER UNIT		



www.AmericanSteelOnline.com

American Steel Products, Inc.
10350 N. Vancouver Way #295
Portland, Oregon 97217
Call Toll Free 1-877-388-8420
Local Call 503-288-8420
Fax 503-288-1223